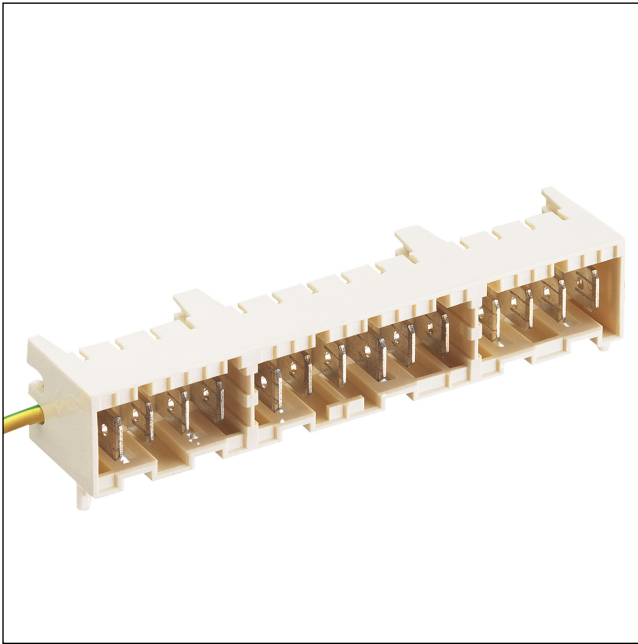


36

3679

RAST 5 connectors, pitch 5.0 mm



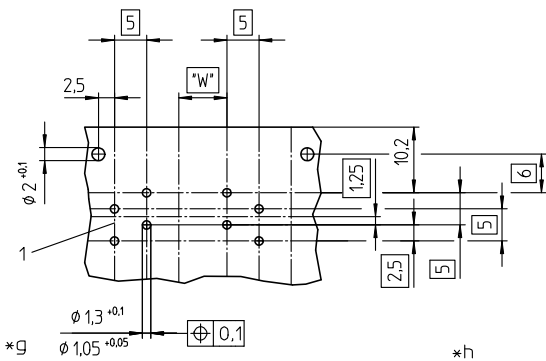
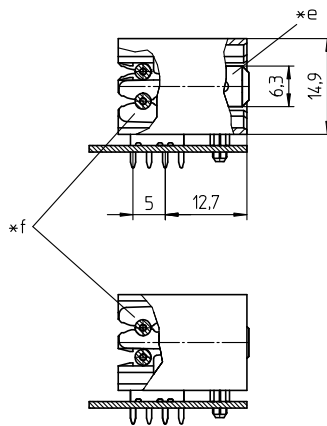
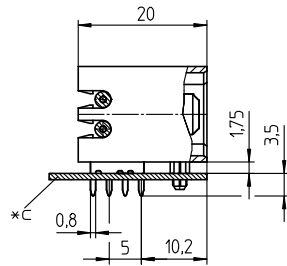
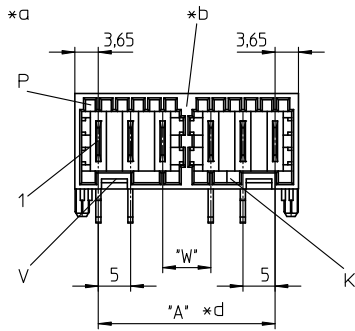
RAST 5 tab header, angular, with lower side lock, higher version, with positioning spigot, free to configure with partitions, neutral and/or protective conductor bridge in insulation displacement technology (IDT)

Approvals:



36

3679



Environmental conditions

Temperature range -40 °C/+120 °C

Materials

Insulating body	PA GF, V-0 according to UL94 ¹
Contact tab with insulation displacement terminal	CuSn, pre-nickel and tin-plated
Contact tab without insulation displacement terminal	CuZn, pre-nickel and tin-plated

¹ component glow wire resistant (GWT 750 °C), testing acc. to IEC 60695-2-11, assessment acc. to IEC 60335-1 (flame < 2 s)

Mechanical data

Contact tab	6.3 x 0.8 mm according to DIN 46244
Bridge conductor	stranded wire LiY 0.75 mm ² according to H05V-KH05V-K

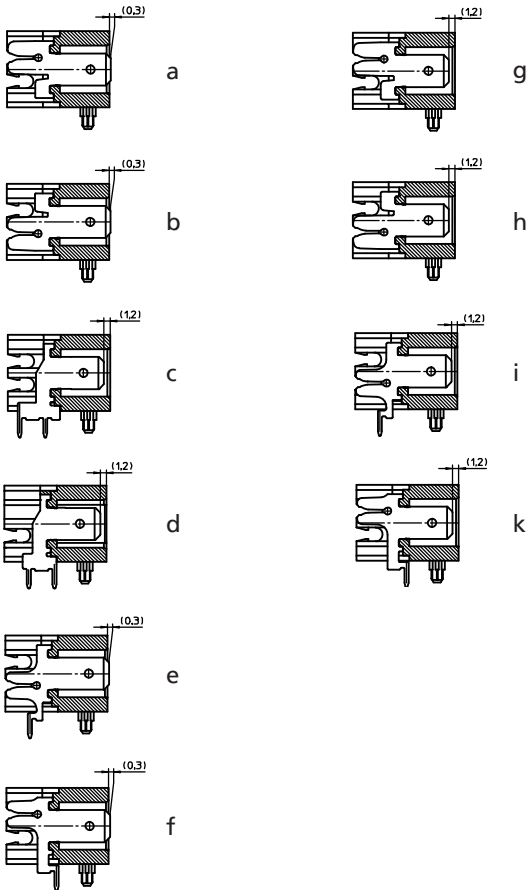
Electrical data (at T_{amb} 20 °C)

Rated current	10 A (T _{amb} 70 °C)
Rated voltage	250 V AC
Material group	IIIa (IEC)/2 (UL) (CTI ≥ 250)
Creepage distance	4,2 mm
Clearance	4,2 mm
Insulation resistance	> 10 GΩ

Associated products

Counterparts		
☞ 3611	☞ 3615	☞ 3615-1
☞ 3615-2	☞ 3615-3	☞ 3623
☞ 3623 01 V01	☞ 3626	

types of contacts



- *a K = keying
P = positioning
V = space for lock
- *b partitioning
- *c printed circuit board
- *d $A = (P - 1) \times 5 + (W - 5) \times Y$, max. 135 mm with one-piece insulating body
P = poles
W = 7,5 mm (standard)/10,0 mm
Y = number of partitions (at least 1 partition every 12 contacts)
- *e pre-mating protective contact, protruding 1.5 mm, possible at any position
- *f insulation displacement contacts with neutral/protective conductor bridges
- *g measure for press-fit of solder pins in printed circuit board
- *h printed circuit board layout, solder side view

36

3679

Designation	Pole Number	PU (Pieces)	MDQ (Pieces)
3679 03	3		200
3679 04	4		200
3679 05	5		200
3679 06	6		200
3679 07	7		200
3679 08	8		200
3679 09	9		200
3679 10	10		200
3679 11	11		200
3679 12	12		200
3679 13	13		200
3679 14	14		200
3679 15	15		200
3679 16	16		200
3679 17	17		200
3679 18	18		200
3679 19	19		200
3679 20	20		200
3679 21	21		200
3679 22	22		200
3679 23	23		200
3679 24	24		200
3679 25	25		200
3679 26	26		200
3679 27	27		200

Designation to be completed by further details (e.g. for keying, color or material options).

Packaging:
in a cardboard box